

Scaled data based on original data using  
LM-79-08 Approved Method: Electrical and Photometric Measurements of Solid-State  
Lighting Products

Test Report Prepared for  
Cooper Lighting Solutions  
(formerly Eaton)

Brand: STREETWORKS

Report Number: P571657

Luminaire Tested: **UFLD-CA2-180-740-U-66-TS2\_UFLD**

Issue Date: 9/21/2021

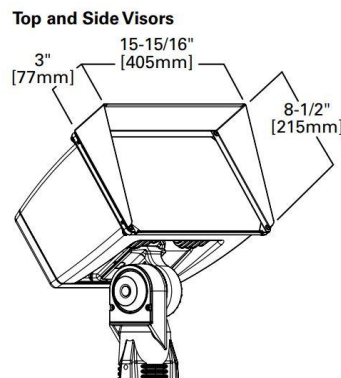
**Test Information**

Test Method: LM-79-08  
Report Number: P571657  
TEST IS SCALED FROM IESNA LM-79-08 TEST DATA (G2-2109-378-4)  
Test Lab: COOPER LIGHTING SOLUTIONS  
Issue Date: 9/21/2021  
Manufacturer: COOPER LIGHTING SOLUTIONS (FORMERLY EATON)  
Product Line: STREETWORKS  
Catalog Number: UFLD-CA2-180-740-U-66-TS2\_UFLD  
Description: FLOOD LIGHT, 6x6 OPTIC WITH TOP AND SIDE VISOR  
Light Source: (2) 4000K CCT, 70 CRI LEDS  
Ballast/Driver: -

**Summary**

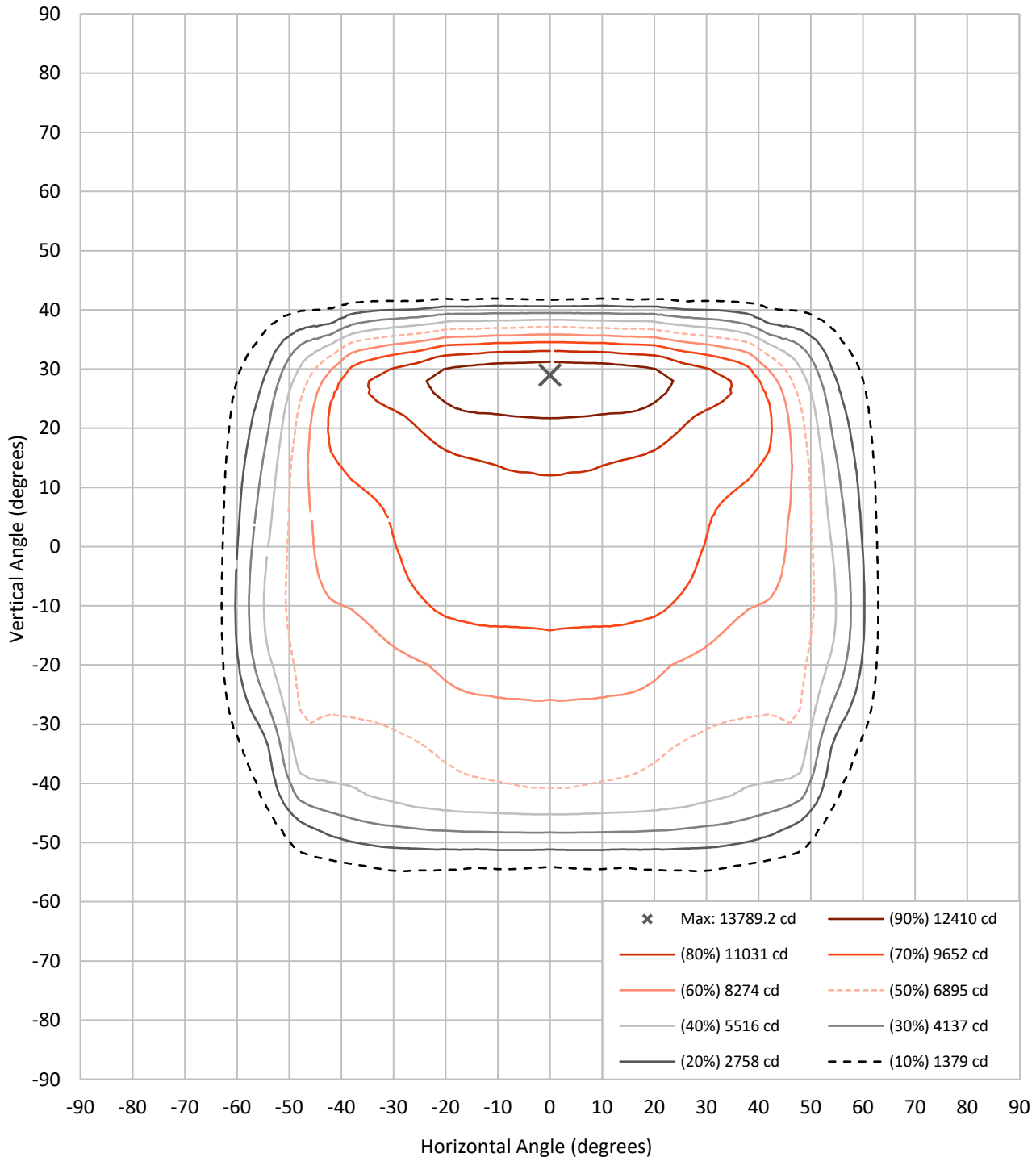
Lumens per Lamp:	N/A	NEMA Type:	6H x 5V
Luminaire Lumens:	22790 lumens	Max Intensity:	13789.2 candela
Efficiency:	N/A	Max Intensity Angle:	0°H x 29°V
Efficacy:	124.7 lumens/watt		
Luminous Opening:	Rectangular (W 1.25' x L: 0.67' x H: 0')		
Beam Angle (50%):	91.9°H x 77.9°V	Field Angle (10%):	119.5°H x 95.8°V
Beam Lumens:	17545.4 lumens	Field Lumens:	22208 lumens
Beam Efficiency:	77.0%	Field Efficiency:	97.4%

Input Watts (W): 182.8  
Input Voltage (V): 120  
Input Current (Ain): NR  
Voltage Rise (V): NR  
Power Factor: NR  
Total Harmonic Distortion (THDi): NR  
Frequency (hertz): 60  
Stabilization Time: NR  
Operation Time: NR  
Ambient Temperature (°C): NR  
Test Distance: 25 FT



REPORT NUMBER: P571657  
CATALOG NUMBER: UFLD-CA2-180-740-U-66-TS2\_UFLD

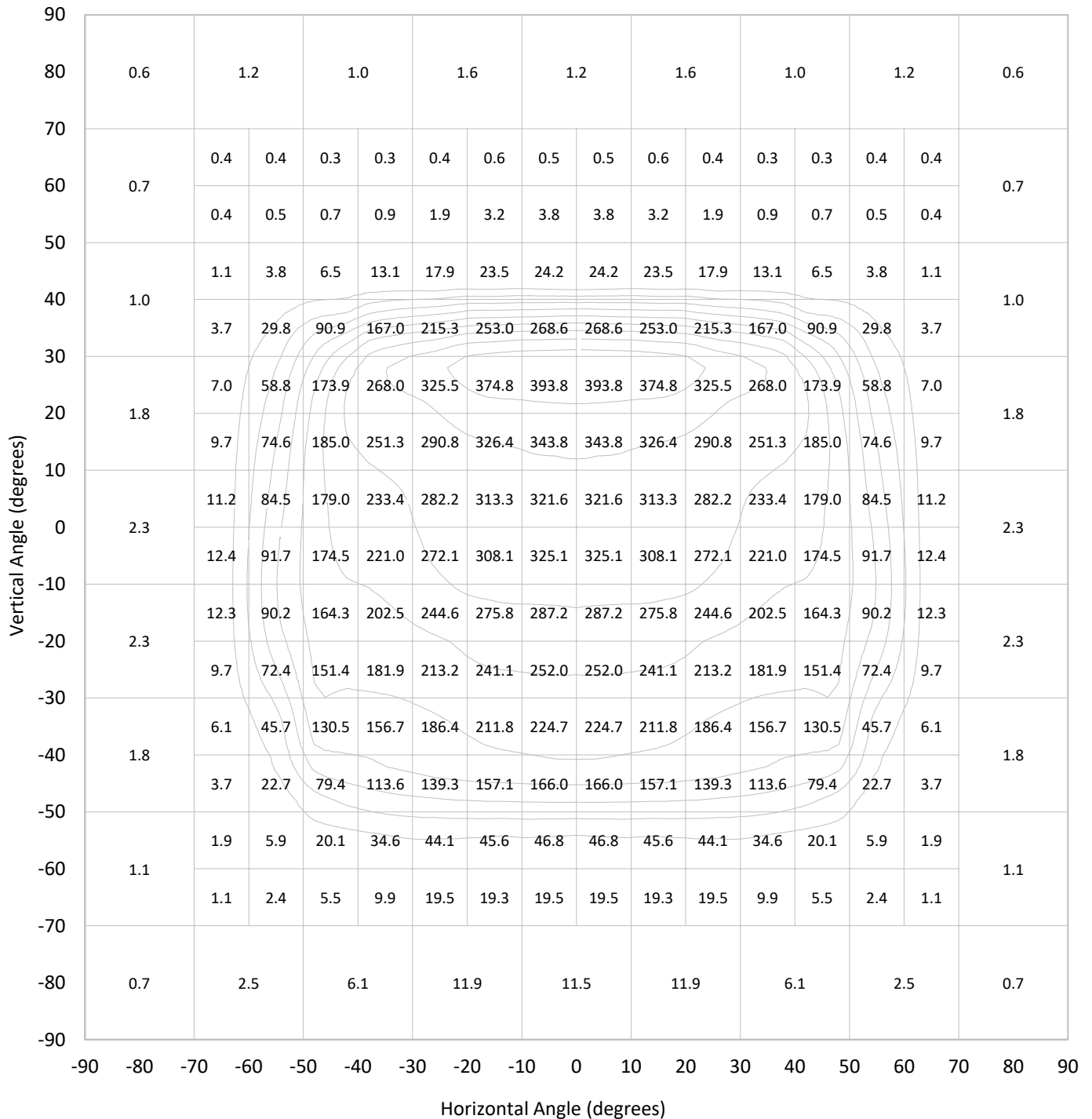
### Iso-Candela Plot





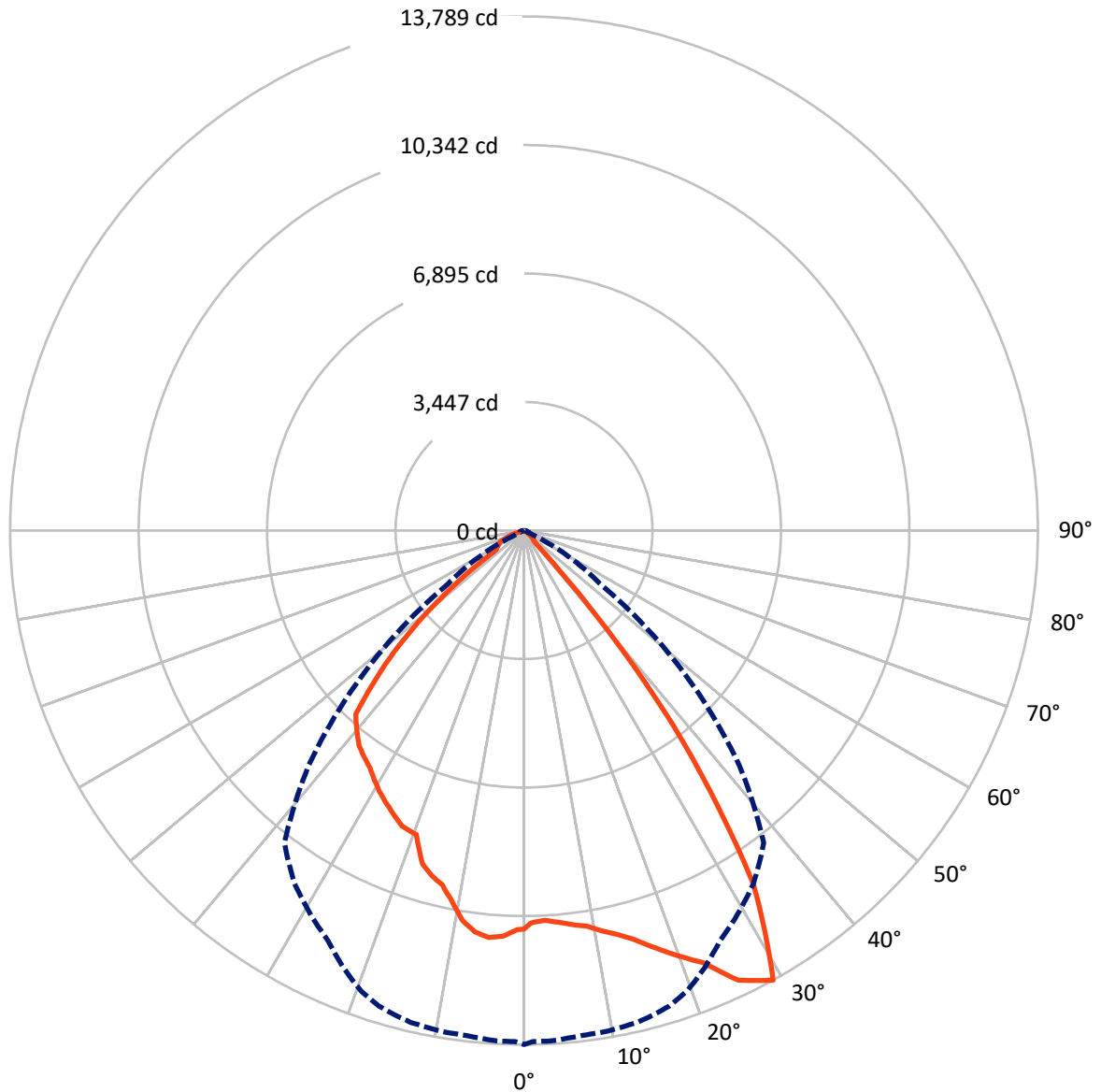
REPORT NUMBER: P571657  
 CATALOG NUMBER: UFLD-CA2-180-740-U-66-TS2\_UFLD

### Lumen Table



REPORT NUMBER: P571657  
CATALOG NUMBER: UFLD-CA2-180-740-U-66-TS2\_UFLD

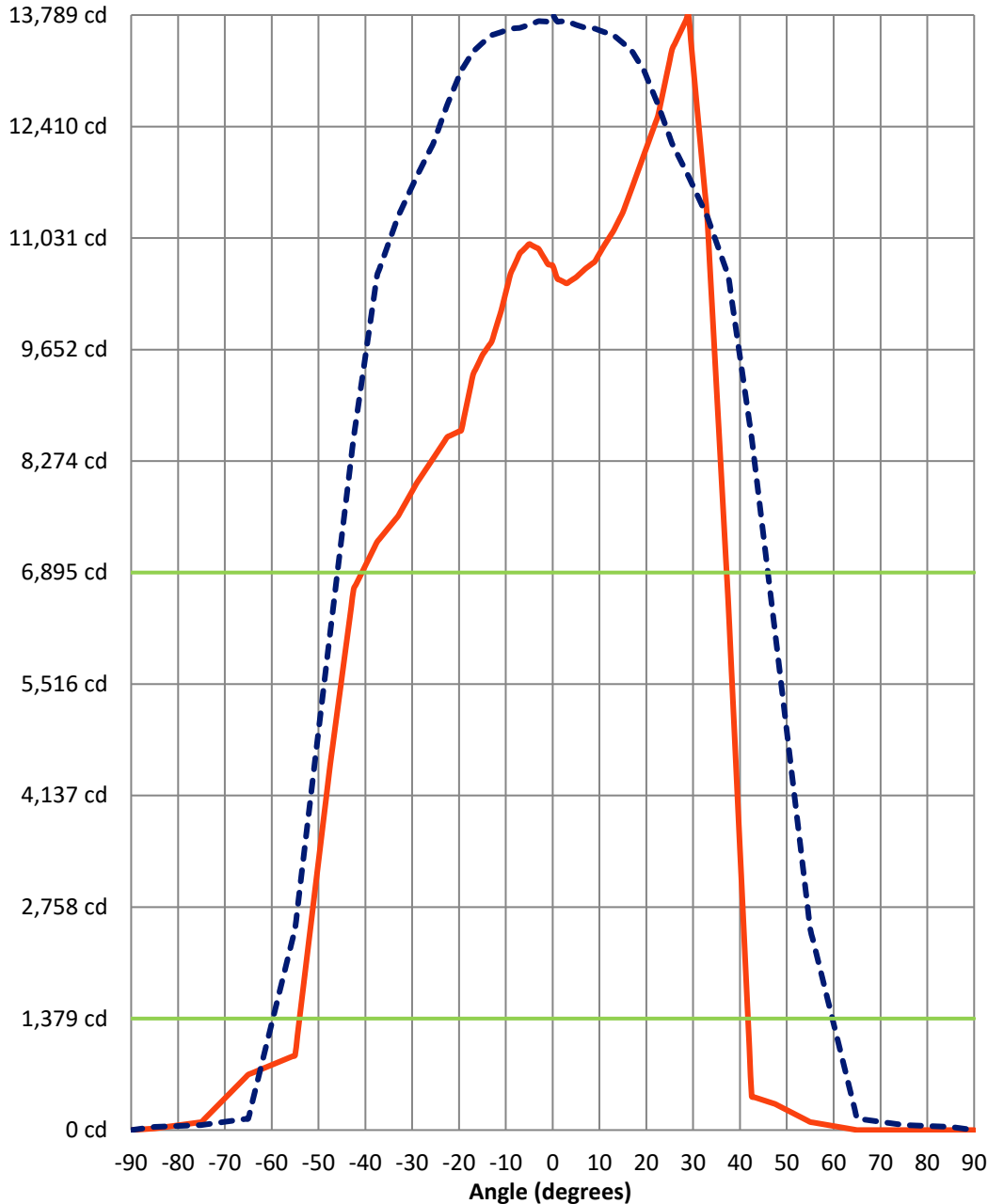
### Luminous Intensity Polar Plot



— Vertical Distribution Through 0-Deg      - - - Horizontal Distribution Through 29-Deg

REPORT NUMBER: P571657  
 CATALOG NUMBER: UFLD-CA2-180-740-U-66-TS2\_UFLD

### Luminous Intensity Plot



**Beam:**  
 H Angle: 91.9°  
 V Angle: 77.9°  
 Lumens: 17545.4  
 Efficiency: 77.0%

**Field:**  
 H Angle: 119.5°  
 V Angle: 95.8°  
 Lumens: 22208  
 Efficiency: 97.4%

**Spill:**  
 Lumens: 582  
 Efficiency: 2.6%

- Vertical Distribution through 0-Deg
- - - Horizontal Distribution through 29-Deg



REPORT NUMBER: P571657  
 CATALOG NUMBER: UFLD-CA2-180-740-U-66-TS2\_UFLD

FIELD  
 BEAM

**CANDELA DISTRIBUTION:**

	0°	1°	3°	5°	7°	9°	11°	13°	15°	17°	19.5°
90°	0.0	0.0	0.0	0.0	0.0	0.0	0.0	0.0	0.0	0.0	0.0
85°	0.0	6.2	15.6	19.7	20.7	22.8	22.8	24.9	24.9	23.9	22.8
75°	0.0	2.1	6.2	9.3	11.4	13.5	14.5	14.5	14.5	13.5	13.5
65°	0.0	1.0	4.1	6.2	8.3	9.3	9.3	10.4	10.4	10.4	9.3
55°	99.6	102.7	100.6	99.6	99.6	97.5	93.3	87.1	79.9	80.9	75.7
47.5°	322.5	319.4	320.5	318.4	315.3	305.9	300.8	296.6	293.5	292.5	279.0
42.5°	416.9	430.4	469.8	553.8	643.0	738.4	743.6	671.0	582.8	486.4	677.2
37.5°	6522.3	6622.9	6490.1	6454.9	6279.6	6316.9	6285.8	6187.3	6180.0	6236.0	6167.6
33°	11289.8	11327.1	11257.6	11239.0	11202.7	11202.7	11163.2	10986.9	10859.4	10780.6	10755.7
29°	13789.2	13708.3	13713.5	13667.8	13630.5	13621.2	13578.6	13540.3	13443.8	13337.0	13103.6
25.5°	13364.0	13322.5	13342.2	13266.5	13253.0	13197.0	13202.2	13150.3	13079.8	12968.8	12719.9
22.5°	12543.6	12548.8	12545.7	12506.3	12491.8	12440.9	12379.8	12368.3	12362.1	12281.2	12099.7
19.5°	12063.4	12012.6	11995.0	12020.9	11977.4	11913.1	11843.6	11796.9	11740.9	11718.1	11650.7
17°	11663.1	11609.2	11633.1	11595.7	11566.7	11482.7	11409.0	11345.8	11316.7	11276.3	11177.8
15°	11349.9	11307.4	11300.1	11272.1	11293.9	11191.2	11147.7	11093.8	11034.6	10975.5	10895.7
13°	11120.7	11131.1	11113.5	11039.8	11073.0	10991.1	10937.2	10868.7	10818.9	10765.0	10720.4
11°	10938.2	10951.7	10881.2	10878.0	10893.6	10786.8	10771.2	10691.4	10663.4	10668.6	10549.3
9°	10740.1	10770.2	10795.1	10761.9	10738.0	10695.5	10670.6	10641.6	10588.7	10597.0	10566.9
7°	10652.0	10627.1	10620.8	10668.6	10631.2	10590.8	10548.3	10563.8	10574.2	10603.2	10566.9
5°	10546.2	10560.7	10570.0	10541.0	10535.8	10551.4	10524.4	10555.5	10564.8	10772.3	10836.6
3°	10470.5	10524.4	10496.4	10461.1	10486.0	10509.9	10565.9	10571.1	10671.7	10793.0	10828.3
1°	10528.5	10566.9	10570.0	10570.0	10594.9	10671.7	10677.9	10709.0	10782.6	10833.5	10861.5
0°	10691.4	10667.5	10682.0	10660.3	10720.4	10759.8	10765.0	10740.1	10794.0	10966.2	10966.2
-1°	10708.0	10718.3	10760.9	10772.3	10756.7	10805.5	10729.7	10736.0	10761.9	10863.5	10768.1
-3°	10897.8	10900.9	10895.7	10899.8	10874.9	10861.5	10808.6	10766.0	10704.9	10608.4	10527.5
-5°	10957.9	10965.2	10938.2	10925.8	10869.8	10779.5	10751.5	10678.9	10579.4	10471.5	10393.7
-7°	10841.7	10843.8	10756.7	10780.6	10688.3	10584.6	10513.0	10412.4	10340.8	10236.1	10158.3
-9°	10588.7	10551.4	10491.2	10472.5	10385.4	10257.9	10160.4	10084.7	10048.4	9987.2	10004.8
-11°	10130.3	10100.2	10103.3	10052.5	9986.1	9930.1	9882.4	9851.3	9829.5	9803.6	9766.3
-13°	9752.8	9737.2	9685.4	9700.9	9667.8	9679.2	9689.5	9677.1	9651.2	9616.9	9563.0
-15°	9583.8	9571.3	9548.5	9530.9	9527.8	9527.8	9523.6	9518.4	9495.6	9410.6	9327.6
-17°	9342.1	9311.0	9308.9	9303.7	9292.3	9298.6	9286.1	9264.3	9258.1	9201.1	9120.2
-19.5°	8654.5	8670.1	8668.0	8690.8	8665.9	8708.5	8724.0	8725.0	8692.9	8656.6	8589.2
-22.5°	8570.5	8522.8	8529.0	8542.5	8518.7	8509.3	8505.2	8509.3	8477.2	8434.7	8325.8
-25.5°	8307.1	8325.8	8326.8	8299.8	8304.0	8308.1	8259.4	8256.3	8224.1	8177.5	8059.2
-29°	8003.2	8014.6	7988.7	7990.8	7947.2	7928.6	7871.5	7838.3	7785.4	7754.3	7639.2
-33°	7593.6	7619.5	7595.7	7588.4	7545.9	7512.7	7465.0	7441.1	7357.1	7281.4	7195.3
-37.5°	7272.1	7243.0	7235.8	7250.3	7194.3	7175.6	7130.0	7090.6	7031.5	6957.8	6848.9
-42.5°	6687.2	6724.5	6711.0	6668.5	6644.6	6574.1	6546.1	6510.9	6488.0	6476.6	6353.2
-47.5°	4520.7	4540.4	4534.2	4519.6	4504.1	4497.9	4467.8	4443.9	4438.7	4420.1	4361.0
-55°	925.1	948.9	966.6	1010.1	1028.8	1055.8	1030.9	984.2	975.9	1073.4	1065.1
-65°	685.5	682.4	679.3	676.2	671.0	668.9	674.1	678.3	675.1	688.6	715.6
-75°	98.5	97.5	100.6	101.6	94.4	94.4	109.9	106.8	111.0	111.0	112.0
-85°	19.7	17.6	19.7	29.0	30.1	34.2	37.3	40.4	41.5	41.5	41.5
-90°	0.0	0.0	0.0	0.0	0.0	0.0	0.0	0.0	0.0	0.0	0.0



REPORT NUMBER: P571657  
 CATALOG NUMBER: UFLD-CA2-180-740-U-66-TS2\_UFLD

**CANDELA DISTRIBUTION (continued):**

	22.5°	25.5°	29°	33°	37.5°	42.5°	47.5°	55°	65°	75°	85°
90°	0.0	0.0	0.0	0.0	0.0	0.0	0.0	0.0	0.0	0.0	0.0
85°	20.7	18.7	16.6	14.5	12.4	13.5	15.6	19.7	28.0	32.1	35.3
75°	12.4	11.4	10.4	10.4	10.4	12.4	14.5	18.7	27.0	31.1	36.3
65°	9.3	8.3	7.3	7.3	7.3	9.3	14.5	19.7	28.0	32.1	36.3
55°	68.4	49.8	28.0	29.0	29.0	30.1	31.1	25.9	32.1	35.3	37.3
47.5°	237.5	168.0	101.6	79.9	79.9	69.5	60.2	45.6	59.1	38.4	37.3
42.5°	665.8	304.9	489.5	523.7	454.2	203.3	267.6	303.9	75.7	43.6	38.4
37.5°	5663.6	5422.9	5099.4	4829.7	4211.6	2658.1	2404.0	1056.8	90.2	49.8	38.4
33°	10377.1	9821.3	9550.6	8990.5	8560.1	6265.1	4834.9	1798.3	118.2	56.0	39.4
29°	12680.5	12200.3	11795.9	11299.1	10565.9	8560.1	6154.1	2488.0	142.1	62.2	39.4
25.5°	12336.2	11946.3	11554.2	11187.1	10793.0	9452.0	6966.1	2985.8	164.9	69.5	39.4
22.5°	11749.2	11323.0	10960.0	10744.3	10521.3	9744.5	7399.6	3333.2	186.7	76.7	40.4
19.5°	11303.3	10923.7	10590.8	10370.9	10351.2	9796.4	7641.3	3615.3	212.6	89.2	40.4
17°	10898.8	10586.6	10320.1	10219.5	10269.3	9661.5	7817.6	3848.6	236.5	97.5	40.4
15°	10626.0	10380.2	10164.5	10140.7	10107.5	9509.1	7949.3	4046.7	256.2	101.6	40.4
13°	10502.6	10285.9	10117.9	10095.0	9903.2	9329.7	8020.9	4228.2	271.7	104.7	40.4
11°	10358.5	10214.3	10126.2	9945.7	9677.1	9103.6	8026.0	4385.9	287.3	109.9	40.4
9°	10383.4	10195.6	10055.6	9772.5	9456.2	8989.5	8026.0	4529.0	284.2	113.0	40.4
7°	10394.8	10219.5	9930.1	9600.4	9283.0	8876.5	8046.8	4671.1	270.7	117.2	40.4
5°	10448.7	10194.6	9867.9	9465.5	9140.9	8795.6	7979.4	4816.3	265.5	120.3	40.4
3°	10451.8	10192.5	9842.0	9331.7	9041.4	8718.8	7971.1	4940.7	264.5	121.3	41.5
1°	10454.9	10182.2	9761.1	9199.0	8956.3	8680.5	7959.7	5079.7	267.6	121.3	41.5
0°	10439.4	10135.5	9726.9	9165.8	8903.4	8651.4	7973.2	5153.3	269.6	119.3	41.5
-1°	10421.7	10072.2	9642.9	9119.1	8863.0	8640.0	7958.6	5225.9	269.6	118.2	41.5
-3°	10292.1	9968.5	9564.1	9075.6	8792.5	8571.6	7904.7	5350.4	277.9	118.2	41.5
-5°	10157.3	9852.4	9480.0	8958.4	8706.4	8487.6	7919.2	5424.0	282.1	118.2	41.5
-7°	10023.5	9705.1	9361.8	8906.5	8579.9	8361.0	7880.9	5519.4	283.1	117.2	41.5
-9°	9805.7	9529.8	9164.8	8716.8	8415.0	8267.7	7867.4	5567.1	285.2	117.2	41.5
-11°	9622.1	9294.4	8964.6	8550.8	8255.2	8113.2	7803.1	5560.9	287.3	116.2	41.5
-13°	9366.0	9073.5	8773.8	8383.8	8118.3	7936.9	7737.7	5523.5	286.2	117.2	41.5
-15°	9134.7	8848.5	8546.7	8240.7	7964.9	7750.2	7640.2	5438.5	286.2	117.2	41.5
-17°	8900.3	8623.4	8340.3	8045.8	7811.4	7640.2	7567.7	5277.8	284.2	116.2	41.5
-19.5°	8375.5	8165.0	7988.7	7828.0	7630.9	7430.8	7453.6	4986.3	276.9	116.2	41.5
-22.5°	8111.1	7896.4	7717.0	7555.2	7399.6	7201.6	7333.3	4544.5	265.5	114.1	41.5
-25.5°	7871.5	7665.1	7480.5	7319.8	7214.0	7092.7	7224.4	3972.1	254.1	112.0	41.5
-29°	7466.0	7295.9	7143.5	6983.8	6898.7	6847.9	7050.1	3206.7	245.8	107.9	40.4
-33°	7014.9	6869.7	6720.4	6504.6	6413.4	6414.4	6640.5	2248.4	240.6	101.6	40.4
-37.5°	6697.5	6536.8	6313.8	6075.3	5908.3	5938.4	5984.0	1758.9	243.7	92.3	40.4
-42.5°	6188.3	6102.2	5832.6	5599.3	5294.3	4985.3	4524.8	1314.0	213.6	76.7	40.4
-47.5°	4326.7	4202.3	4088.2	3958.6	3675.5	3164.2	2418.5	519.6	190.8	60.2	40.4
-55°	1129.4	1115.9	1188.5	1093.1	895.0	667.9	581.8	199.1	144.2	51.9	40.4
-65°	777.8	807.9	634.7	422.1	213.6	181.5	283.1	107.9	78.8	45.6	39.4
-75°	108.9	97.5	76.7	80.9	85.0	79.9	72.6	44.6	44.6	41.5	38.4
-85°	40.4	38.4	37.3	36.3	34.2	32.1	32.1	33.2	37.3	40.4	38.4
-90°	0.0	0.0	0.0	0.0	0.0	0.0	0.0	0.0	0.0	0.0	0.0





REPORT NUMBER: P571657  
CATALOG NUMBER: UFLD-CA2-180-740-U-66-TS2\_UFLD

**CANDELA DISTRIBUTION (continued):**

	90°
90°	0.0
85°	0.0
75°	0.0
65°	0.0
55°	0.0
47.5°	0.0
42.5°	0.0
37.5°	0.0
33°	0.0
29°	0.0
25.5°	0.0
22.5°	0.0
19.5°	0.0
17°	0.0
15°	0.0
13°	0.0
11°	0.0
9°	0.0
7°	0.0
5°	0.0
3°	0.0
1°	0.0
0°	0.0
-1°	0.0
-3°	0.0
-5°	0.0
-7°	0.0
-9°	0.0
-11°	0.0
-13°	0.0
-15°	0.0
-17°	0.0
-19.5°	0.0
-22.5°	0.0
-25.5°	0.0
-29°	0.0
-33°	0.0
-37.5°	0.0
-42.5°	0.0
-47.5°	0.0
-55°	0.0
-65°	0.0
-75°	0.0
-85°	0.0
-90°	0.0

(END OF REPORT)